

DC Axial Fan / 8CM



Model No.

X0802512Y 80x80x25mm

Frame and Impeller Material :
Plastic (UL 94V-O)

Bearing system :
Ball Bearing (B)
Sleeve Bearing (S)

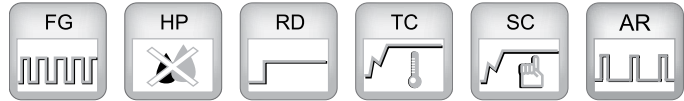
Lead Wires :
UL 1007 AWG 28 or equivalent.
Red:+, Black:-

Model No. :

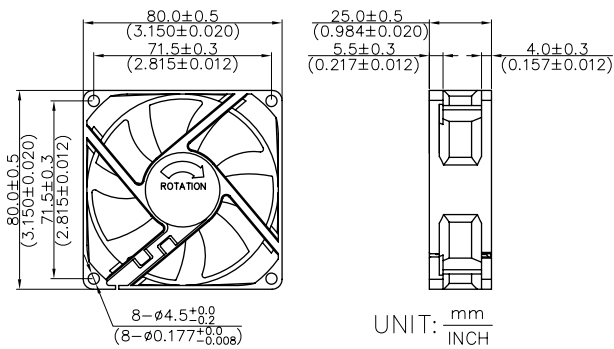
X0802512Y / X01138812Y

X=Bearing system, can be B or S type..
Y=Fan speed, can be SL, EL, LL, L, M or H.

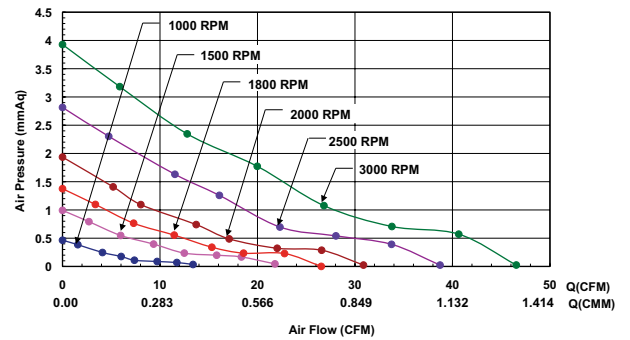
Net Weight :
70g



OUTLINE



CHARACTERISTIC CURVES



SPECIFICATIONS

Item Model No.	Rated Voltage	Operating Voltage Range	Rated Current	Starting Voltage	Rated Input Power	Max Air Flow		Max Air Pressure		Noise	Speed
	V _{DC}	V _{DC}	A	V _{DC}	W	CMM	CFM	mmAq	inAq	dBA	RPM±10%
X01138812SL	12	10.8~13.8	0.12	10.80	1.44	0.38	13.39	0.46	0.02	10.9	1000
X01138812EL	12	10.8~13.8	0.12	10.80	1.44	0.62	19.05	1.17	0.05	13.4	1500
X01138812LL	12	6~13.8	0.12	6	1.44	0.75	22.60	1.55	0.06	16.7	1800
X01138812L	12	6~13.8	0.12	6	1.44	0.87	26.54	1.55	0.08	21.0	2000
X01138812M	12	6~13.8	0.17	6	2.04	1.10	32.37	3.26	0.13	27.4	2500
X01138812H	12	6~13.8	0.23	6	2.76	1.32	46.55	3.93	0.15	34.0	3200
X0802512SL	12	10.8~13.8	0.12	10.80	1.44	0.38	13.39	0.46	0.02	10.9	1000
X0802512EL	12	10.8~13.8	0.12	10.80	1.44	0.62	19.05	1.17	0.05	12.5	1500
X0802512LL	12	6~13.8	0.12	6	1.44	0.75	22.60	1.55	0.06	16.2	1800
X0802512L	12	6~13.8	0.12	6	1.44	0.87	26.54	1.55	0.08	21.0	2000
X0802512M	12	6~13.8	0.17	6	2.04	1.10	32.37	3.26	0.13	27.4	2500
X0802512H	12	6~13.8	0.23	6	2.76	1.32	46.55	3.93	0.15	34.0	3200